

One Year Unconditional Warranty

If for any reason, this ProMaster product fails within ONE YEAR of the date of purchase, return this product to your ProMaster dealer and it will be exchanged for you at no charge. ProMaster products are guaranteed for ONE FULL YEAR against defects in workmanship and materials. If at any time after one year, your ProMaster product fails under normal use, we invite you to return it to ProMaster for evaluation.



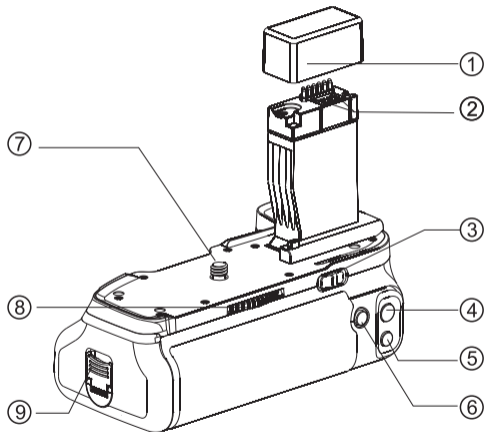
Vertical Control
Power Grip

FITS CANON T6i T6S

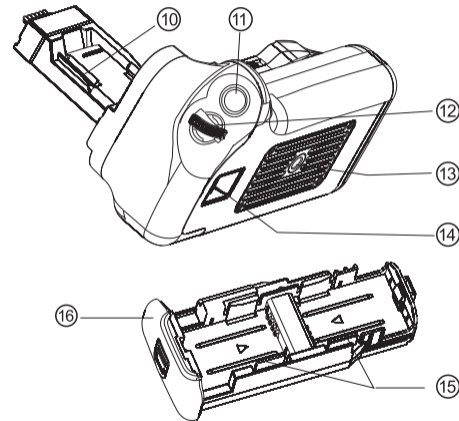
CODE 6942

Part Names

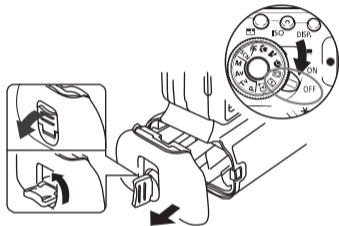
- ① Protective Cover
- ② Power/Signal Contacts
- ③ Vertical Grip Operation Switch
- ④ AE Lock / FE Lock / Index/ Reduce Button
- ⑤ AF Point Selection / Magnify button
- ⑥ Aperture / Exposure Compensation Button
- ⑦ Attachment Screw
- ⑧ Attachment Wheel
- ⑨ Battery Holder Release Handle



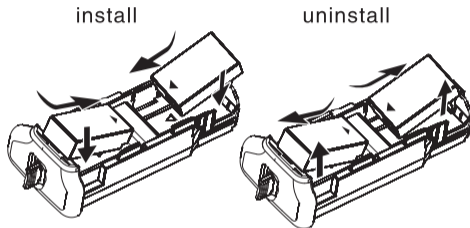
- ⑩ Camera Battery Compartment Cover Slot
- ⑪ Shutter Button
- ⑫ Main Dial
- ⑬ Tripod Socket
- ⑭ Hand Strap Mount
- ⑮ Battery Pack Compartment
- ⑯ LP-E17 Battery Holder



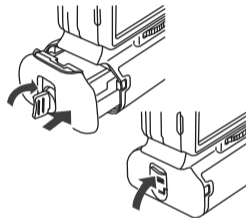
Installing The Batteries



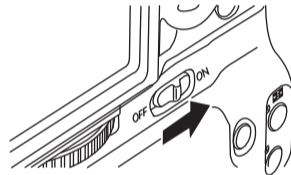
1. With your camera and the Vertical Grip Operation Switch (3) OFF, turn the Battery Holder Release Handle (9) counter-clockwise and pull. This will allow you to slide the Battery Holder (16) out of the grip.



2. Install one or two LP-E17 Li-ion battery(s) into the Battery Pack Compartment (15) while aligning the contacts carefully.
*Note, you can power the camera using just one battery. Two will provide twice as much shooting time.



3. Insert the Battery Holder (16) into the grip and turn the Battery Holder Release Handle (9) clockwise to lock it in place.



4. Once the Battery Holder (16) is properly inserted, turn on your camera. Then activate the grip by sliding the Vertical Grip Operation Switch (3) to ON.

Congratulations on your purchase of the ProMaster Vertical Control Power Grip for the Canon T6i / T6s. This battery grip will provide longer shooting times for your camera, comfortable photography when taking vertical-orientation shots, and a more stable overall camera rig which reduces the chance of shake and blur.

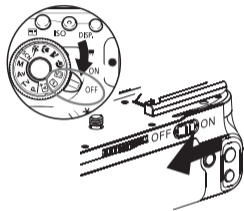
To ensure proper operation, please read this manual thoroughly before using this product.

This grip is specially designed for the Canon EOS T6i and T6s cameras. It is equipped with an alternate shutter button and main dial for easy shooting in a vertical position. This battery grip can hold two LP-E17 rechargeable Li-ion batteries to extend your shooting time.

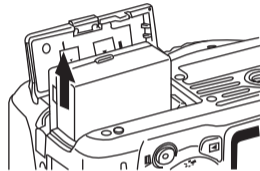
Caution

- This product should only be used with compatible devices specified in this instruction sheet.
- Use ONLY the batteries and battery holder recommended.
- Cover the power terminals with the contact cap when not in use. This prevents electrical shorts caused by metal objects touching the terminals.
- When the battery holder is removed from the grip, remove the batteries or place the holder in a container to prevent electrical shorts caused by contact with other metal objects.
- The battery level may not display properly if batteries are inserted before attaching the grip to the camera.
- Remove batteries from the grip when not in use for an extended period.
- Do not disassemble or repair this product yourself. Doing so will void your warranty.
- Avoid water or extreme humidity and be sure to store in a cool, dry location.
- Do not dispose of in fire or extremely high temperature environment.
- Keep the product or parts away from children to avoid hazard from swallowing.

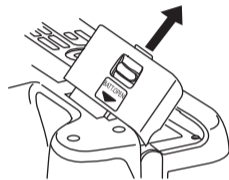
Attaching Your Camera



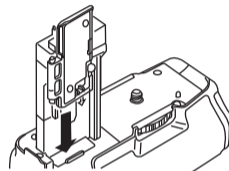
1. Please turn off your camera and be sure the Vertical Grip Operation Switch (3) is in the 'OFF' position.



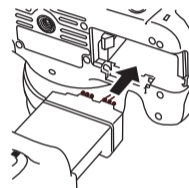
2. Open the camera's battery chamber.



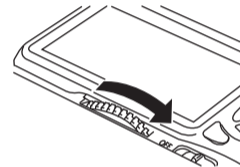
3. Detach the chamber cover by opening it to approximately a 35 degree angle and pulling it away from the camera.



4. Store the camera battery chamber cover in the Camera Battery Compartment Cover Slot (10) on the grip.



5. Align the grip with the camera paying attention to the Power/Signal Contacts (2) which go straight into the camera's battery chamber. Also align the grip's Attachment Screw (7) with the camera's tripod socket.



6. Turn the Attachment Wheel (8) in the direction of the lock arrow to securely fasten the power grip to the tripod mount on your camera.

Specifications

Model	6942
Power Source	1 or 2 LP-E17 Li-Ion batteries
Camera Compatibility	Canon 750D\760D\T6i\T6s\X8i\8000D
Replacement for	Canon BG-E18
Operating Temperature	0~40° (32~104°F)
Dimensions	Approx. 130 x 80 x 105mm
Weight (without batteries)	Approx. 7.3 oz. / 207g

* Approximate measurements

* All the trademarks are the property of their respective owners

* Specification and design are subject to change without notice

Operation and Use of the Grip

1. Your camera must be turned ON for the grip to operate. When your camera is ON the grip may be switched ON or OFF by using the Vertical Grip Operation Switch (3). Please note, the grip will continue to supply power to your camera whether the Vertical Grip Operation Switch is set to ON or OFF. Setting the Vertical Grip Operation Switch to OFF only disables the operation of the grip's camera controls to prevent accidental changes to your camera's settings and/or taking of photographs.
2. Use the Grip's Shutter Button (11) to comfortably auto focus and take photographs while holding your camera in a vertical position.
3. Use the Main Dial (12), AE lock / FE lock / Index / Reduce Button (4), AF Point Selection / Magnify Button (5), and Aperture / Exposure Compensation Button (6) as you would on your camera. These controls work the same as they do on your camera.
4. Use the Tripod Socket (13) to mount your grip and camera to a tripod or quick release plate.